

PATLITE[®]
New Frontiers in Safety, Security and Comfort.

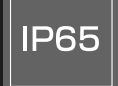
PATLED[®]S[™]



SLIM LED Light Bar

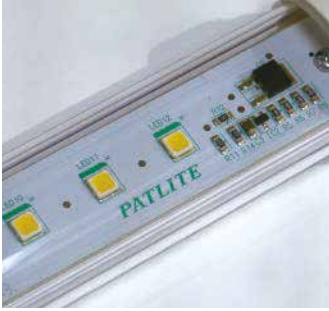
CWA

Affordable Replacement
for Fluorescent Lights



www.patlite.com

Highly reliable LED chips are used.



High-definition LED chip

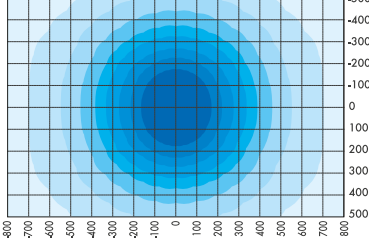
The highly reliable LED chip, which is the core of LED lighting, has nearly 10 times (about 40,000 hours) the lifespan (based on LED brightness of 70%) in comparison to the common fluorescent light, it also does not contain any mercury.

A uniform light that subdues glare

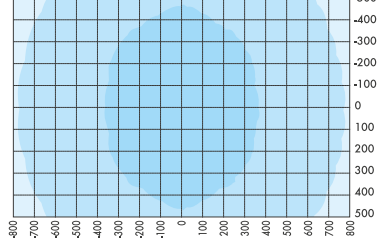
In comparison to an LED luminous source, we take advantage of the straight beam optical characteristic of the LED without dropping brightness or overdoing it, but reproducing a natural light.

Illumination Distribution Chart

CWA3S-24-CD (Measured Distance:0.5m)



CWA3S-24-CD (Measured Distance:1m)



Cost Saving

Energy
ab. **82.7%**
Less

Based on 10 hrs. per day for 365 days

Annual Power Consumption

| | |
|---------------------|---------|
| 100V20W Fluorescent | 88kWh |
| CWA LED Light Bar | 15.3kWh |

Earth Friendly

CO2 Emissions
ab. **80.7%**
Less

Based on 10 hrs. per day for 365 days

CO2 Annual Power Consumption

| | |
|---------------------|------|
| 100V20W Fluorescent | 31kg |
| CWA LED Light Bar | 6kg |

Long Life

Lifespan
9
times more

Lifespan

| | |
|--------------------------|-------------|
| Conventional Fluorescent | 4,000 Hrs. |
| CWA LED Light Bar | 36,000 Hrs. |

Low Heat

In Comparison
ab. **31%**
Less

Measured 1 hr. after lighting

Heat Radiation

| | |
|----------------------|--------|
| Flourescent (FL20SS) | 60°C |
| CWA LED Light Bar | 41.5°C |

Line up



L:300mm

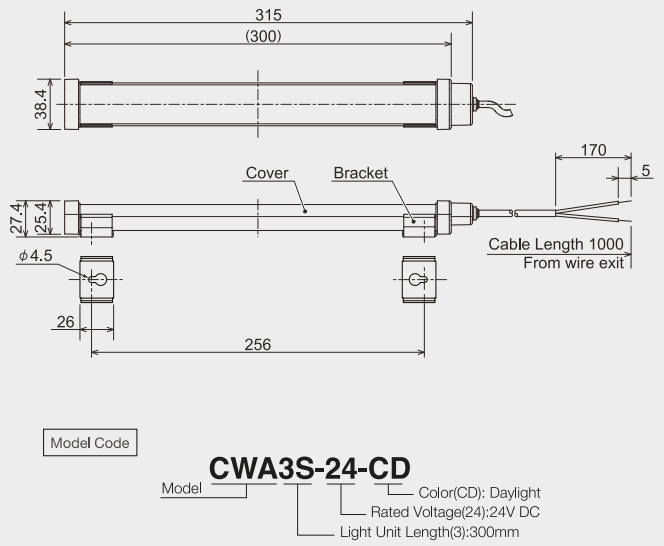
6500K

Mounting Brackets



Specifications & Outer Dimensions (Unit : mm)

| Model | CWA3S-24-CD |
|-----------------------------|--|
| Luminous Color | Daylight |
| Color Temperature (Typ.) | 6500K |
| Illuminance (at 24V DC, 1m) | 100lx |
| Total Luminous Flux | 350lm |
| Rated Voltage | 24V DC (Polarized) |
| Operating Voltage | 24V DC ±10% |
| Current Consumption | 180mA |
| Power Consumption | 6W |
| Operating Temperature Range | -30°C ~ +60°C (RH90% or less, no condensation) |
| Main Body Material | Polycarbonate Resin (Waterproof Packing: Silicon) |
| Protection Rating | IP65(Cable connector ends not included) |
| Mounting Location | Indoor |
| Mounting Direction | Any Direction |
| Insulation Resistance | 500V DC 5MΩ or more |
| Withstand Voltage | 500V AC for 1 minute(Between power terminal and screw) |
| Vibration Resistance | 30Hz 19.6 m/s ² (Back and Forth, Up and Down, Left and Right for 2 hrs. each) |
| Mass | 300g ± 10% |



Antriebstechnik
Automation
Vertrieb

ghv Vertriebs-GmbH
für Antriebstechnik
und Automation

Am Schammacher Feld 47 · D-85567 Grafing
Tel.: +49(0) 80 92/81 89-0 · Fax: +49(0) 80 92/81 89-99
E-Mail: mail@ghv.de
Internet: www.ghv.de



PATLITE ECO PROJECT
For the benefit of mankind and the earth, Patlite is committed to developing environmentally friendly products.

CAUTION

To ensure correct use of these products, read the "Instruction Manual" prior to use. Failure to follow all safeguards can result in fire, electric shock, or other accidents. Specifications are subject to change without notice.

Y000A

1204 A(A)/A(SM)A