

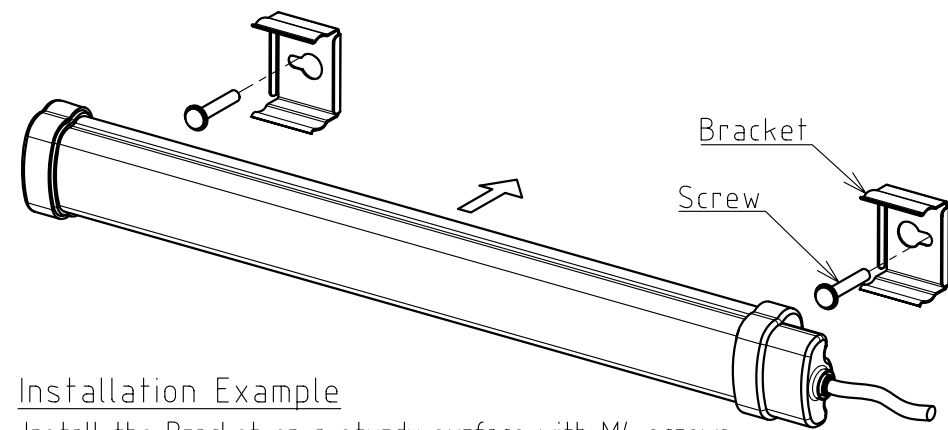
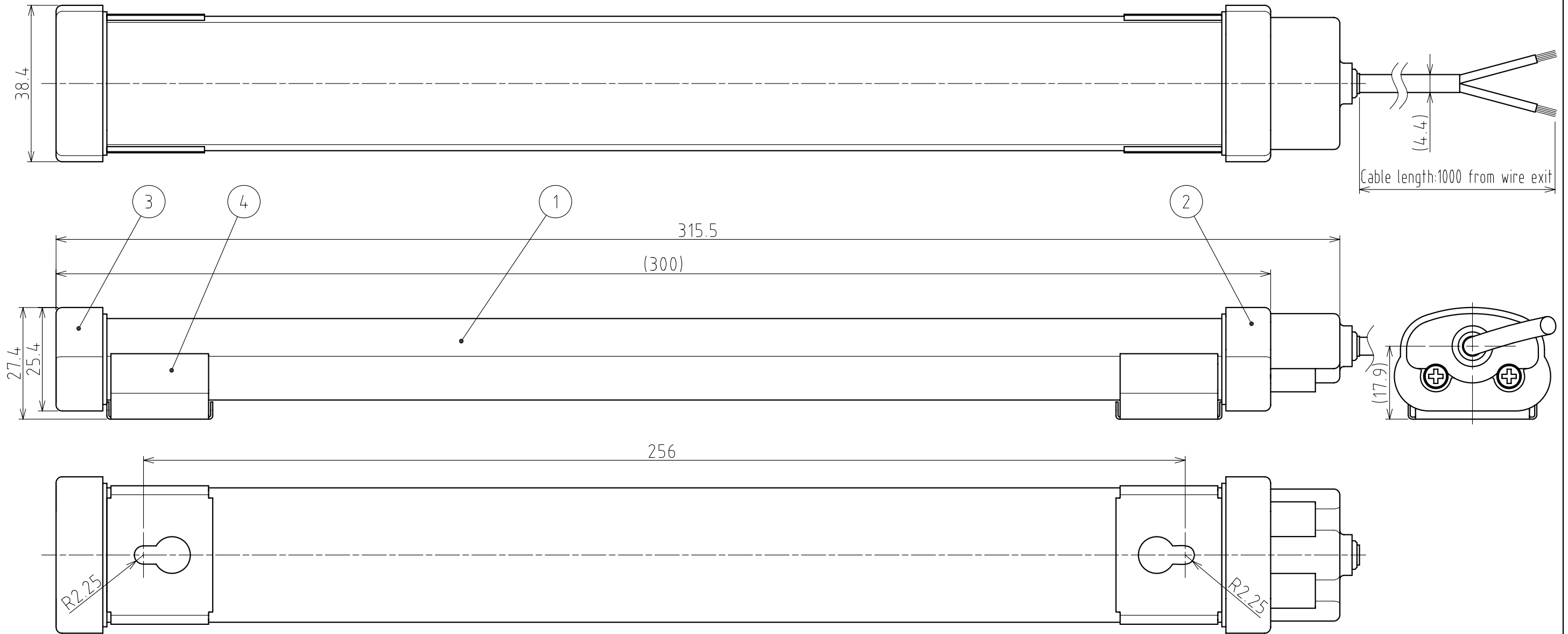
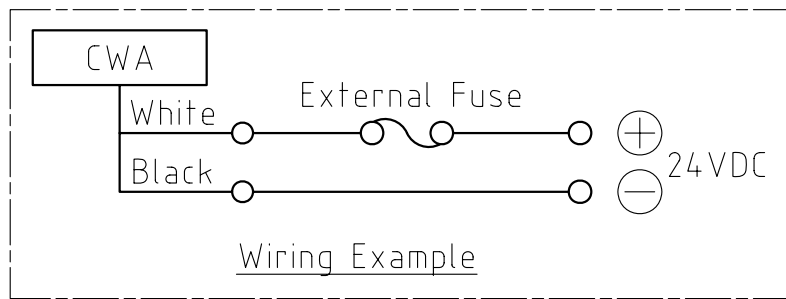
SPECIFICATIONS

[General Specifications]

Model	CWA3S-24-CD
Color Code	CD
Luminous Color	Daylight
Color Temperature (typ.)	6500 K
Illuminance (at 24V DC, 1m)	100 lx
Total Luminous Flux (at 24V DC)	350 lm
Rated Voltage	24V DC (Polarized)
Operating Voltage Range	Rated Voltage \pm 10%
Rated Current Consumption	Typ. 175 mA
	Max. 192 mA
Operating Ambient Temperature	-30 °C to +60 °C
Operating Ambient Humidity	Less than 90% (No condensation)
Storage Ambient Temperature	-35 °C to +65 °C
Storage Ambient Humidity	Less than 90% (No condensation)
Mounting Direction	All Directions
Protection Rating	IP65 (IEC 60529) (Cable connection ends not included)
Vibration Resistance	19.6 m/s ² (30Hz, Back and Forth, Up and Down, Left and Right for 2 hrs. each)
Mass (Tolerance \pm 10%)	215 g
Conformity Standards	EMC Directive (EN 55015, EN 61000-6-2) RoHS Directive (EN 50581)
Remarks	• Due to the inherent properties of the LED, color variations and hue may occur.

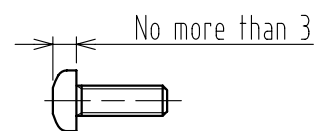
No.CWA3S-24-CD-PDFA-EN-1_2

PATLITE Corporation



Installation Example

Install the Bracket on a sturdy surface with M4 screws, and snap the main unit into place.



Screw Dimensions

4	Bracket	-	2	SUS	
3	End Cap B	-	1	PC (White)	
2	End Cap A	-	1	PC (White)	
1	Cover	-	1	PC (Clear)	
番号 No.	部品名 Part Name	品目コード Part No.	数量 Qty.	材料 & 寸法 & 処理 Material & Size & Finish	記事 Remarks

CWA3S-24-CD Dimensions

株式会社 パトライト
PATLITE Corporation

CWA3S-24-CD-PDFA-EN-2_2